

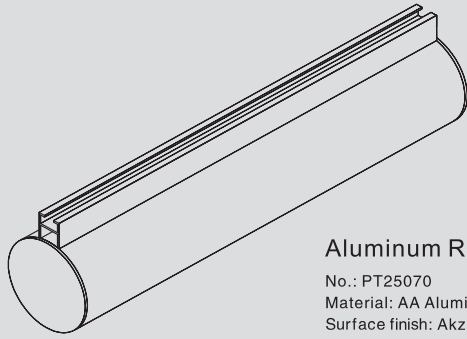
**OUSILONG**<sup>®</sup>

Screen  
Ceiling Series

039/

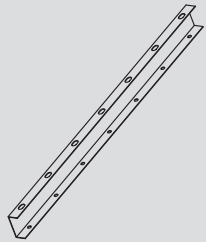


# Aluminum Round Pipe Ceiling



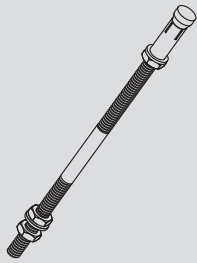
## Aluminum Round Pipe

No.: PT25070  
 Material: AA Aluminum Alloy  
 Surface finish: Akzo Nobel Electrostatic Powder Coated  
 Height: 70mm  
 Diameter: 50mm  
 Length: ≤6000mm  
 Standard Thickness: 1.0mm



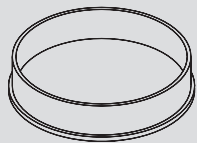
## U-steel Carrier

No.: PTL01  
 Material: Steel  
 Surface finish: Galvanization  
 Height: 38mm  
 Length: 3000mm  
 Standard Thickness: 0.7mm



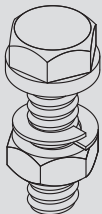
## M8 bar

No.: PGG01D  
 Material: Steel  
 Surface finish: Galvanization



## Pipe Cap

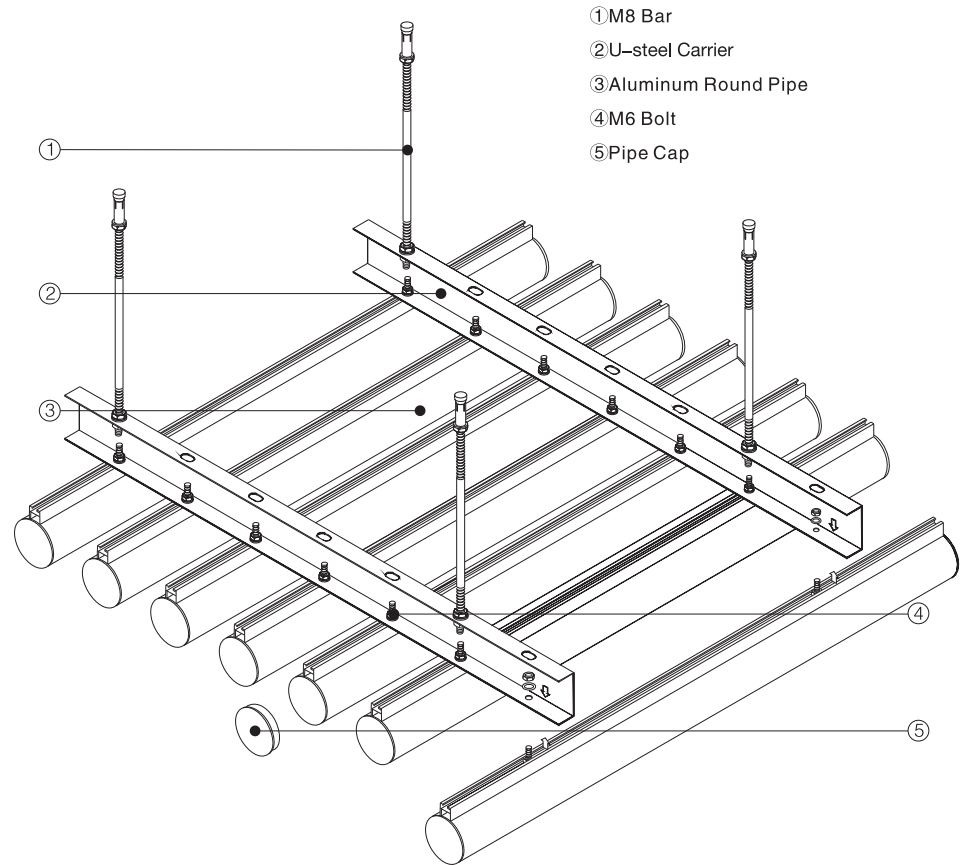
No.: PT25070J  
 Material: AA Aluminum Alloy  
 Surface finish: Akzo Nobel Electrostatic Powder Coated  
 Height: 70mm  
 Diameter: 50mm  
 Standard Thickness: 1.0mm



## M6 screw

No.: PGG0eD  
 Materials: Steel  
 Surface finish: Galvanization

## Installation Diagram



■ Standard Size:  $\phi 50, \phi 75$ : Length  $\leq 5000$ mm



▶▶ **OUSILONG**  
Projects Show



▲ **Project:** Presidente Juscelino Kubitschek International Airport(Brasilia International Airport).

**Area:** 16,000 square meters.

**Location:** Lago Sul, Brasília – DF – Brazil.

**Product:** Aluminum Round Pipe Ceiling.

**Colors:** Gray and White.

